

Technical data sheet



Product features

Cooking range gas 4x burner ECO on open cabinet

Model	SAP Code	00110107
--------------	-----------------	----------



- Device type: Gas unit
- Power consumption of the zone 1 [kW]: 1x burner 3.5 kW
- Power consumption of the zone 2 [kW]: 3x burner 6 kW
- Power consumption of the zone 3 [kW]: 6
- Power consumption of the zone 4 [kW]: 3,5
- Protection of controls: IPX4
- Material: AISI 304 top plate, AISI 430 cladding

SAP Code	00110107	Type of gas	Natural gas, propane butane
Net Width [mm]	800	Number of zones	4
Net Depth [mm]	700	Power consumption of the zone 1 [kW]	1x burner 3.5 kW
Net Height [mm]	900	Power consumption of the zone 2 [kW]	3x burner 6 kW
Net Weight [kg]	48.00	Power consumption of the zone 3 [kW]	6
Power gas [kW]	21.500	Power consumption of the zone 4 [kW]	3,5

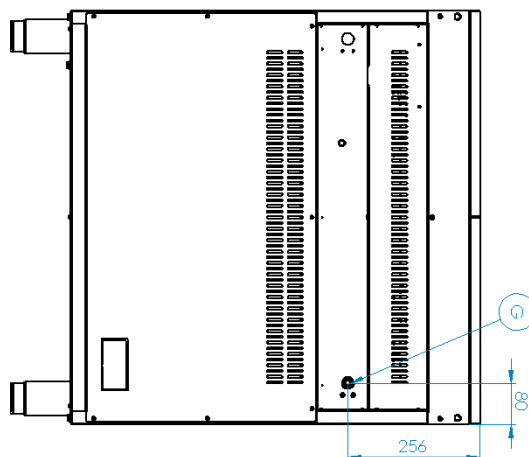
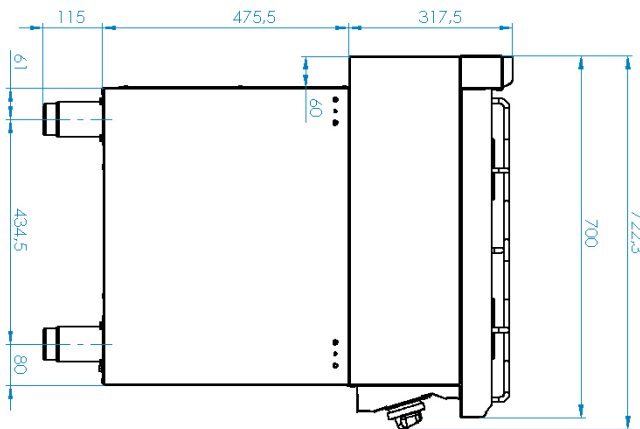
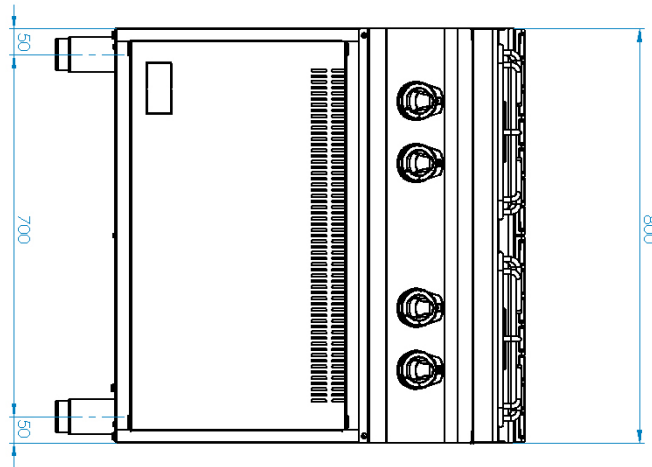
Technical data sheet



Technical drawing

Cooking range gas 4x burner ECO on open cabinet

Model	SAP Code	00110107
--------------	-----------------	----------



Cooking range gas 4x burner ECO on open cabinet

Model	SAP Code	00110107
--------------	-----------------	----------

1

Massive construction of burners

- high performance and efficiency
- brass removable burners
- long life
- detachable
 - energy saving (perfect combustion)
 - time saving for food preparation
 - easy maintenance/cleaning

2

Hygienic moldings of the top plate

- absence of sharp corners and edges (potential places where dirt could stick)
- smooth transitions
 - easy quick cleaning

3

Degree of protection of the control elements IPX4

- maintenance-free system
- resistance to splash water
- long life
 - savings on service interventions
 - easy cleaning and maintenance of equipment

4

All-stainless design

- long life
- resistance of a ground steel plate with a thickness of 10 mm
 - savings on service interventions
 - higher corrosion resistance

5

Safety element – thermocouple

- safe service for staff
- there is no unnecessary gas leakage
- long life
 - savings on service interventions
 - easier and faster operation

6

Variability

- the possibility of adding to the current line
- easy possibility of creating one module
- long life
 - cost saving
 - space saving
 - long service life

Technical data sheet



Technical parameters

Cooking range gas 4x burner ECO on open cabinet

Model	SAP Code	00110107
--------------	-----------------	----------

1. SAP Code:

00110107

2. Net Width [mm]:

800

3. Net Depth [mm]:

700

4. Net Height [mm]:

900

5. Net Weight [kg]:

48.00

6. Gross Width [mm]:

840

7. Gross depth [mm]:

800

8. Gross Height [mm]:

975

9. Gross Weight [kg]:

61.00

10. Device type:

Gas unit

11. Construction type of device:

With substructure

12. Power gas [kW]:

21.500

13. Type of gas:

Natural gas, propane butane

14. Protection of controls:

IPX4

15. Material:

AISI 304 top plate, AISI 430 cladding

16. Worktop type:

Molded - comfortable cleaning maintenance

17. Worktop material:

AISI 304

18. Worktop Thickness [mm]:

1.20

19. Number of zones:

4

20. Power consumption of the zone 1 [kW]:

1x burner 3.5 kW

21. Power consumption of the zone 2 [kW]:

3x burner 6 kW

22. Power consumption of the zone 3 [kW]:

6

23. Power consumption of the zone 4 [kW]:

3,5

24. Grid material:

Cast iron

25. Service accessibility:

Trough the frontal panel

26. Safety thermocouple:

Yes

27. Adjustable feet:

Yes

28. Number of burners/hot plates:

4

Technical data sheet



Technical parameters

Cooking range gas 4x burner ECO on open cabinet

Model	SAP Code	00110107
--------------	-----------------	----------

29. Type of gas cooking zones:

Cast iron burners

31. Connection to a ball valve:

1/2

30. Burner type:

Cast iron, detachable, with internal and external combustion